

UB:Motors®

AC motors IE1/IE2/IE3



	Page
About efficiency classes and AC motors	2-3
UBAT standard efficiency class IE1, 2-pole	4
UBAT standard efficiency class IE1, 4-pole	5
UBAT standard efficiency class IE1, 6-pole	6
UBAT standard efficiency class IE1, 8-pole	7
UB2AT high efficiency class IE2, 2- and 4-pole	8
UB2AT high efficiency class IE2, 6-pole	9
Measurements UBAT/UB2AT	10-12
Spare parts UBAT/UB2AT	13
UBCT standard efficiency class IE1, 2-pole	14
UBCT standard efficiency class IE1, 4-pole	15
UBCT standard efficiency class IE1, 6-pole	16
UB2CT high efficiency class IE2, 2-pole	17
UB2CT high efficiency class IE2, 4-pole	18
UB2CT high efficiency class IE2, 6-pole	19
UB3CT premium efficiency class IE3, 2-pole	20
UB3CT premium efficiency class IE3, 4-pole	21
UB3CT premium efficiency class IE3, 6-pole	22
Measurements UBCT/UB2CT/UB3CT	23-26
Spare parts UBCT/UB2CT/UB3CT	27

Efficiency AC motors

As from June 16th 2011 new rules regarding motor efficiency are valid in the EU. This means that only AC motors fulfilling these requirements are allowed to be sold within the EU. The rules apply for single speed, 3-phase, 2-6 pole AC motors from 0,75 kW (1 Hp) and upwards for S1 operation.

There are three commercial levels of energy efficiency (defined in IEC 60034-30 (2008)):

- Premium efficiency IE3 (NEMA Premium)
- High efficiency IE2 (EPAAct, Eff1)
- Standard efficiency IE1 (Eff2)

The efficiency class and motor efficiency data are printed on the rating plate.

Example:

A: UB:drive UBCT 90S4 1,1 kW/1415 RPM standard AC motor IE 1 with efficiency 75,0

B: UB:drive UB2CT 90S4 1,1 kW/1425 RPM high efficiency AC motor IE2 with efficiency 81,4

Power consumption is calculated by letting the motor's power be divided by the efficiency:

Power consumption A: $1,1 \text{ kW} / 0,750 = 1,47 \text{ kW}$

Power consumption B: $1,1 \text{ kW} / 0,814 = 1,35 \text{ kW}$

Savings are 0,12 kW equaling 8,2 % by choosing solution B. Per year the savings are 216 kWh at 8 hours of daily operation 225 days a year equaling 1.800 operating hours.

Exceptions

The new rules do not apply for "special AC motors", e.g. submersible motors, fully integrated motors, motors running in exceptional warm environments, motors running 1.000 meter above sea level, ATEX-motors and brake motors. There are some further exceptions to the rules not mentioned here.

Further energy savings

You can optimize your application further by using helical gearboxes instead of worm gearboxes, using frequency inverters and by using correct dimensioned belt drives. We can help you in choosing the right parts for your application. Please contact us.



In brief

As from June 16th 2011 all AC motors above 0,75 kW must be at least High Efficiency IE2.

As from January 1st 2015 AC motors from 7,5 to 375kW must be IE3, alternatively IE2 with a frequency inverter.

As from January 1st 2017 AC motors from 0,75 to 375kW must be IE3, alternatively IE2 with a frequency inverter.

UB:drive AC motors series UBAT and UBCT

UBAT standard efficiency class IE1

The UBAT-series AC motors are with housing made from aluminium. Available from 0,09 kW to 37 kW with 2-4-6-8-pole.

UB2AT high efficiency class IE2

The UB2AT-series AC motors are with housing made from aluminium. Available from 0,75 kW to 37 kW with 2-4-6-pole. Meet the requirements valid from June 16th 2011.

UBCT standard efficiency class IE1

The UBCT-series AC motors are with housing made from cast iron. Available from 0,75 kW to 315 kW with 2-4-6-pole.

UB2CT high efficiency class IE2

The UB2CT-series AC motors are with housing made from cast iron. Available from 7,5 kW to 315 kW with 2-4-6-pole. Meet the requirements valid from June 16th 2011.

UB3CT premium efficiency class IE3

The UB3CT-series AC motors are with housing made from cast iron. Available from 0,75 kW to 315 kW with 2-4-6-pole. Meet the requirements valid from January 1st 2015.

UBAT standard efficiency class IE1

2-, 4-, 6- and 8-pole standard AC motors with housing made from aluminium.
Standard efficiency class IE1. 50 Hz.



Voltage:

For motors up to 4 kW 3 x230/400V.

From 5,5 kW and upwards 3x400/690V.

The latter can also be delivered in 3x230/400V.

Electrical data for 2-pole

Model	Power kW	Current (A) 400V	Full load speed RPM	Efficiency % by 100% FL	Power factor cos ϕ	Ts / Tn (times)	Is / In (times)	Noise dB(A)	Weight kg
UBAT56A2	0,09	0,36	2710	53	0,72	2,2	4	58	2,60
UBAT56B2	0,12	0,40	2700	61	0,72	2,2	4	58	3,00
UBAT56S2	0,18	0,55	2710	63	0,75	2,2	6	61	4,00
UBAT63A2	0,18	0,55	2710	63	0,75	2,2	6	61	4,00
UBAT63B2	0,25	0,71	2710	65	0,78	2,2	6	61	4,20
UBAT63S2	0,37	1,05	2710	65	0,78	2,2	6	62	4,70
UBAT71A2	0,37	0,97	2730	70	0,79	2,2	6	64	5,20
UBAT71B2	0,55	1,42	2760	71	0,79	2,2	6	64	6,00
UBAT71S2	0,75	1,83	2730	72	0,82	2,2	6	65	7,00
UBAT80A2	0,75	1,77	2770	73	0,84	2,2	6	67	8,70
UBAT80B2	1,1	2,51	2770	76,2	0,83	2,2	6	67	10,00
UBAT80S2	1,5	3,32	2800	78,5	0,83	2,2	6	70	11,20
UBAT90S2	1,5	3,28	2840	78,5	0,84	2,2	6	72	12,00
UBAT90Lk2	2,2	4,61	2840	81	0,85	2,2	6	72	14,50
UBAT90L2	3	6,10	2840	82,6	0,86	2,2	6	74	15,00
UBAT100Lk2	3	6,03	2840	82,6	0,87	2,2	7	76	20,00
UBAT100L2	4	7,88	2850	84,2	0,87	2,2	7,5	77	24,00
UBAT112M2	4	7,88	2880	84,2	0,87	2,2	7,5	77	26,00
UBAT112L2	5,5	10,5	2880	85,7	0,88	2,2	7,5	78	29,30
UBAT132Sk2	5,5	10,5	2900	85,7	0,88	2	7,5	80	38,40
UBAT132M2	7,5	14,1	2920	87	0,88	2	7,5	80	41,30
UBAT132Mk2	9,2	17,3	2930	88	0,89	2	7,5	81	48,20
UBAT132M2	11	20,0	2930	88,4	0,9	2	7,5	83	52,50
UBAT160Mk2	11	20,0	2940	88,4	0,9	2	7,5	86	76,00
UBAT160M2	15	26,6	2940	89,4	0,91	2	7,5	86	77,50
UBAT160L2	18,5	32,6	2940	90	0,91	2	7,5	86	92,00
UBAT180M2	22	39,2	2950	90	0,9	2	7,5	91	121,0
UBAT200Lk2	30	52,8	2950	91,2	0,9	2	7,5	94	144,0
UBAT200L2	37	64,5	2940	92	0,9	2	7,5	94	151,0

After June 16th 2011 AC motors with power over 0,75 kW sold within the EU will be delivered for S3-duty only.



Electrical data for 4-pole

Model	Power kW	Current (A) 400V	Full load speed RPM	Efficiency % by 100% FL	Power factor cos ϕ	Ts / Tn (times)	Is / In (times)	Noise dB(A)	Weight kg
UBAT56A4	0,06	0,35	1360	50	0,56	2,3	4	50	2,90
UBAT56B4	0,09	0,45	1360	52	0,59	2,3	4	50	3,20
UBAT56C4	0,12	0,55	1360	52	0,64	2,2	4	52	3,70
UBAT63A4	0,12	0,55	1360	52	0,64	2,2	4	52	3,70
UBAT63B4	0,18	0,70	1310	57	0,65	2,2	4	52	4,20
UBAT63S4	0,25	0,91	1340	60	0,66	2,2	4	54	5,00
UBAT71A4	0,25	0,84	1350	60	0,72	2,2	6	55	5,00
UBAT71B4	0,37	1,11	1370	65	0,74	2,2	6	55	5,80
UBAT71S4	0,55	1,60	1380	66	0,75	2,2	6	57	6,50
UBAT80A4	0,55	1,58	1370	67	0,75	2,2	6	58	8,10
UBAT80B4	0,75	1,93	1380	72	0,78	2,2	6	58	9,10
UBAT80S4	1,1	2,67	1390	76,2	0,78	2,2	6	60	11,00
UBAT90S4	1,1	2,64	1400	76,2	0,79	2,2	6	61	11,70
UBAT90Lk4	1,5	3,45	1400	78,5	0,8	2,2	6	61	14,40
UBAT90L4	2,2	4,90	1400	81	0,8	2,2	7	63	17,60
UBAT100Lk4	2,2	4,84	1420	81	0,81	2,2	7	64	19,20
UBAT100L4	3	6,47	1420	82,6	0,81	2,2	7	64	22,50
UBAT100L34	4	8,36	1430	84,2	0,82	2,2	7	65	27,30
UBAT112M4	4	8,26	1430	84,2	0,83	2,2	7	65	29,00
UBAT112L4	5,5	11,2	1440	85,7	0,83	2,2	7	68	35,70
UBAT132S4	5,5	11,0	1450	85,7	0,84	2,2	7	71	39,00
UBAT132M4	7,5	14,6	1450	87	0,85	2,2	7	71	48,60
UBAT132Lk4	9,2	17,9	1460	87,5	0,85	2,2	7,5	74	56,50
UBAT132L4	11	20,9	1460	88,4	0,86	2,2	7,5	74	64,00
UBAT160M4	11	20,6	1460	88,4	0,87	2,2	7	75	73,00
UBAT160Lk4	15	28,2	1460	88,4	0,87	2,2	7,5	75	88,50
UBAT160L4	18,5	34,7	1460	90,5	0,85	2,2	7,5	78	97,50
UBAT180M4	18,5	34,3	1460	90,5	0,86	2,2	7,5	80	118,0
UBAT180L4	22	40,6	1460	91	0,86	2,2	7,5	80	128,0
UBAT200L4	30	54,7	1470	92	0,86	2,2	7,5	83	158,0

After June 16th 2011 AC motors with power over 0,75 kW sold within the EU will be delivered for S3-duty only.



Electrical data for 6-pole

Model	Power kW	Current (A) 400V	Full load speed RPM	Efficiency % by 100% FL	Power factor cos ϕ	Ts / Tn (times)	Is / In (times)	Noise dB(A)	Weigth kg
UBAT63A6	0,09	0,51	840	42	0,61	2	3,5	50	4,20
UBAT63B6	0,12	0,62	850	45	0,62	2	3,5	50	4,50
UBAT71A6	0,18	0,70	880	56	0,66	1,6	4	52	5,60
UBAT71B6	0,25	0,87	900	59	0,7	2,1	4	52	6,00
UBAT71S6	0,37	1,27	890	61	0,69	2	4	54	6,80
UBAT80A6	0,37	1,23	900	62	0,7	1,9	4	56	8,10
UBAT80B6	0,55	1,65	900	67	0,72	2	4	56	9,60
UBAT80S6	0,75	2,21	900	68	0,72	2	4	58	10,00
UBAT90S6	0,75	2,18	920	69	0,72	2,2	5,5	59	11,30
UBAT90Lk6	1,1	3,02	925	72	0,73	2,2	5,5	59	14,40
UBAT90L6	1,5	3,90	925	74	0,75	2,2	5,5	60	15,50
UBAT100Lk6	1,5	3,85	945	74	0,76	2,2	6	61	18,80
UBAT100L6	2,2	5,43	950	77	0,76	2,2	6	63	19,80
UBAT112M6	2,2	5,36	955	78	0,76	2,2	6	64	25,00
UBAT112L6	3	7,12	950	79	0,77	2,2	6	64	30,00
UBAT132S6	3	7,21	960	79	0,76	2	6,5	64	35,00
UBAT132Mk6	4	9,44	960	80,5	0,76	2	6,5	68	47,60
UBAT132M26	5,5	12,4	960	83	0,77	2	6,5	68	50,70
UBAT132L6	7,5	16,5	960	85	0,77	2	6,5	68	47,60
UBAT160M6	7,5	15,7	960	86	0,8	2	6,5	68	70,00
UBAT160L6	11	23,0	960	87,5	0,79	2	6,5	73	87,0
UBAT180L6	15	30,0	970	89	0,81	2	6,5	79	122,0
UBAT200Lk6	18,5	36,6	975	90	0,81	2	6,5	82	136,0
UBAT200L6	22	42,5	975	90	0,83	2	6,5	82	152,0

After June 16th 2011 AC motors with power over 0,75 kW sold within the EU will be delivered for S3-duty only.



Electrical data for 8-pole

Model	Power kW	Current (A) 400V	Full load speed RPM	Efficiency % by 100% FL	Power factor cos ϕ	Ts / Tn (times)	Is / In (times)	Noise dB(A)	Weight kg
UBAT71A8	0,09	0,48	680	48	0,56	1,5	3	50	5,60
UBAT71B8	0,12	0,58	690	51	0,59	1,6	2,7	50	6,00
UBAT80A8	0,18	0,84	680	51	0,61	1,5	2,8	52	9,40
UBAT80B8	0,25	1,06	680	56	0,61	1,6	2,7	52	10,10
UBAT90S8	0,37	1,35	680	63	0,63	1,6	2,8	56	12,50
UBAT90L8	0,55	1,85	680	66	0,65	1,6	3	56	15,30
UBAT100Lk8	0,75	2,45	710	66	0,67	1,7	3,5	59	17,20
UBAT100L8	1,1	3,20	710	72	0,69	1,7	3,5	59	19,50
UBAT112M8	1,5	4,30	710	74	0,68	1,8	4,2	61	25,50
UBAT132S8	2,2	5,96	720	75	0,71	2	5,5	64	34,20
UBAT132M8	3	7,70	720	77	0,73	2	5,5	64	40,00
UBAT160Mk8	4	9,89	730	80	0,73	1,9	6	68	59,00
UBAT160M28	5,5	12,9	720	83,5	0,74	2	6	68	69,00
UBAT160L8	7,5	17,0	720	85	0,75	1,9	6	68	87,00
UBAT180L8	11	25,1	715	87,4	0,73	1,9	6	78	125,0
UBAT200L8	15	32,4	725	88,0	0,76	1,9	6	80	151,0

UB2AT high efficiency class IE2

2-, 4- and 6-pole AC motors with housing made from aluminium.
High efficiency class IE2. 50 Hz.



Voltage:

For motors up to 4 kW 3 x230/400V.

From 5,5 kW and upwards 3x400/690V.

The latter can also be delivered in 3x230/400V.

Electrical data for 2-pole

Model	Power kW	Current (A) 400V	Full load speed RPM	Efficiency % by 100% FL	Power factor cos ϕ	Ts / Tn (times)	Is / In (times)	Noise dB(A)	Weight kg
UB2AT80A2	0,75	1,75	2840	77,4	0,80	2,9	5,8	N.A.	8,7
UB2AT80B2	1,1	2,42	2850	80	0,82	3,5	6,8	N.A.	10,5
UB2AT90S2	1,5	3,20	2850	81,4	0,83	3,5	6,9	N.A.	13,1
UB2AT90L2	2,2	4,54	2860	83,2	0,84	4,1	7,9	N.A.	15,0
UB2AT100L2	3	5,88	2880	84,6	0,87	3,4	7,8	N.A.	24,2
UB2AT112M2	4	7,54	2890	86	0,89	2,7	7,5	N.A.	25,8
UB2AT132S2	5,5	10,2	2900	87,2	0,89	2,4	7,7	N.A.	43,8
UB2AT132S2	7,5	13,8	2910	88,1	0,89	2,6	8,4	N.A.	48,0
UB2AT160Mk2	11	19,9	2930	89,4	0,89	2,4	7,6	N.A.	77,5
UB2AT160M2	15	26,9	2930	90,3	0,89	2,6	8	N.A.	92,3
UB2AT160L2	18,5	32,6	2940	90,9	0,90	3	9	N.A.	104,3
UB2AT180M2	22	38,6	2950	91,3	0,90	2,6	8,5	N.A.	126,4
UB2AT200Lk2	30	52,3	2950	92	0,90	2,4	8	N.A.	144,0
UB2AT200L2	37	64,1	2950	92,5	0,90	2,5	8,5	N.A.	151,0

Electrical data for 4-pole

Model	Power kW	Current (A) 400V	Full load speed RPM	Efficiency % by 100% FL	Power factor cos ϕ	Ts / Tn (times)	Is / In (times)	Noise dB(A)	Weight kg
UB2AT80B4	0,75	1,79	1410	79,6	0,76	2,8	5,3	N.A.	10,5
UB2AT90S4	1,1	2,50	1420	81,4	0,78	3,8	6,7	N.A.	14,5
UB2AT90L4	1,5	3,31	1420	82,8	0,79	4	7,2	N.A.	17,6
UB2AT100Lk4	2,2	4,83	1440	84,3	0,78	3,6	7,4	N.A.	20,0
UB2AT100L4	3	6,33	1440	85,5	0,80	3,8	7,8	N.A.	21,1
UB2AT112M4	4	8,23	1440	86,6	0,81	3,1	7,1	N.A.	30,8
UB2AT132S4	5,5	10,9	1450	87,9	0,83	2,6	7,4	N.A.	43,0
UB2AT132M4	7,5	14,5	1450	88,7	0,84	2,8	7,7	N.A.	52,6
UB2AT160M4	11	21,6	1450	89,8	0,82	2,7	7,7	N.A.	83,0
UB2AT160L4	15	28,4	1450	90,6	0,84	2,4	7,3	N.A.	102,5
UB2AT180M4	18,5	34,4	1460	91,4	0,85	2,2	7,4	N.A.	118,7
UB2AT180L4	22	40,3	1460	91,7	0,86	2,3	7,5	N.A.	128,2
UB2AT200L4	30	55,2	1470	92,3	0,86	2,8	7,6	N.A.	158,5



Electrical data for 6-pole

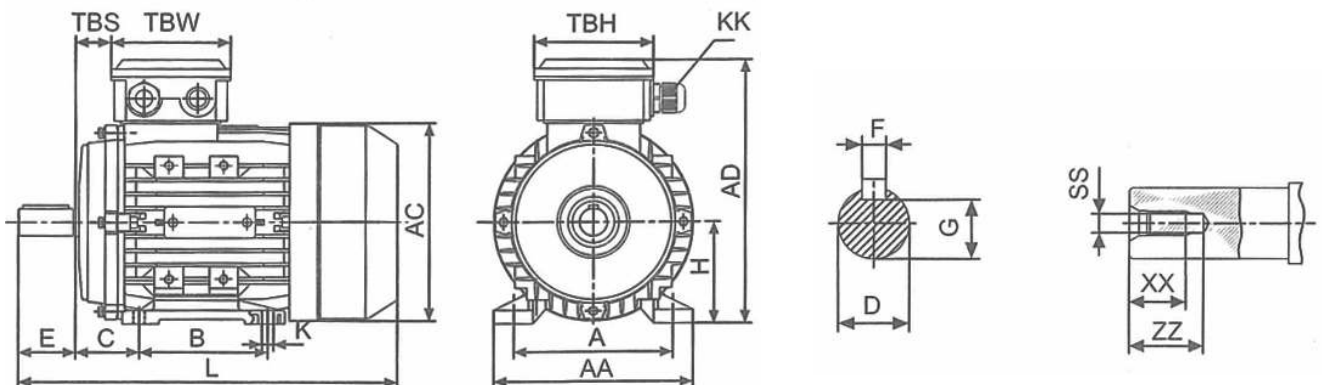
Model	Power kW	Current (A) 400V	Full load speed RPM	Efficiency % by 100% FL	Power factor cos ϕ	Ts / Tn (times)	Is / In (times)	Noise dB(A)	Weight kg
UB2AT90S6	0,75	2,01	925	76,2	0,71	3,1	4,7	N.A.	12,1
UB2AT90L6	1,1	2,82	930	78,1	0,72	3,2	5	N.A.	16,6
UB2AT100L6	1,5	3,71	940	80,0	0,73	3,1	5,9	N.A.	21,8
UB2AT112M6	2,2	5,17	945	81,8	0,75	2,6	5,5	N.A.	29,5
UB2AT132S6	3	6,84	960	83,3	0,76	2,2	5,7	N.A.	35,0
UB2AT132Mk6	4	8,86	960	84,6	0,77	2,4	6,2	N.A.	49,7
UB2AT132M26	5,5	12,0	960	86	0,77	2,6	6,7	N.A.	54,7
UB2AT160M6	7,5	16,1	970	87,5	0,77	2	5,6	N.A.	72,2
UB2AT160L6	11	22,9	970	89,0	0,78	2	5,8	N.A.	87,3
UB2AT180L6	15	28,9	975	90,1	0,83	1,9	7,5	N.A.	12,7
UB2AT200Lk6	18,5	35,6	975	90,4	0,83	2,2	6,3	N.A.	132,0
UB2AT200L6	22	41,6	975	90,9	0,84	2,3	6,2	N.A.	152

General data

Frame	AC	L	KK	TBS	TBW	TBH
56	Ø117	196	1-M16x1,5	14	88	88
63	Ø130	220	1-M16x1,5	14	94	94
71*	Ø147	241(255)	1-M20x1,5	20	94	94
80	Ø163	290	1-M20x1,5	27	105	105
90S	Ø183	312	1-M20x1,5	30	105	105
90L1/L2	Ø183	337/367	1-M20x1,5	30	105	105
100*	Ø205	369(387)	2-M20x1,5	26	105	105
112	Ø229	395	2-M25x1,5	32	112	112
132S	Ø265	437	2-M25x1,5	38	112	112
132M/L	Ø265	475/501	2-M25x1,5	38	112	112
160M/L	Ø325	640	2-M32x1,5	64	143	143
180M/L	Ø368	730	2-M32x1,5	73	190	190
200L	Ø368	745	2-M40x1,5	85	190	190

* This frame size has two housing sizes, the rated output is for normal "L" size. The figures in the brackets refer to the increased output for the bigger "L" size.

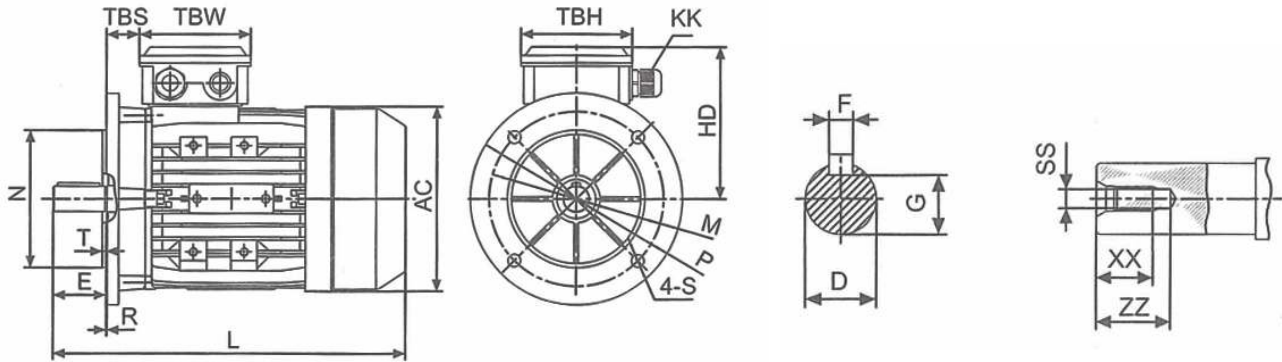
Dimension sketch B3 foot version



Measurements B3 foot version

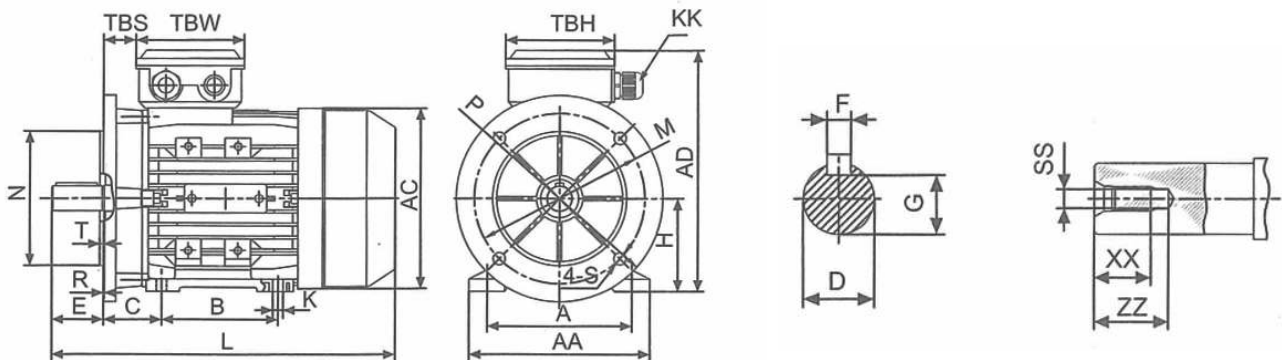
Frame	Foot mounting							Shaft						
	H	AD	A	AA	B	C	K	D	E	F	G	SS	XX	ZZ
56	56	156	90	110	71	36	5,5x8,8	Ø9	20	3	7,2	M3	9	12
63	63	171	100	120	80	40	7x10	Ø11	23	4	8,5	M4	10	14
71	71	186	112	132	90	45	7x10	Ø14	30	5	11	M5	12	17
80	80	213	125	160	100	50	10x13	Ø19	40	6	15,5	M6	16	21
90S	90	229	140	175	100	56	10x13	Ø24	50	8	20	M8	19	25
90L1/L2	90	229	140	175	125	56	10x13	Ø24	50	8	20	M8	19	25
100	100	252	160	198	140	63	12x15	Ø28	60	8	24	M10	22	30
112	112	279	190	220	140	70	12x15	Ø28	60	8	24	M10	22	30
132S	132	318	216	252	140	89	12x15	Ø38	80	10	33	M12	28	37
132M/L	132	318	216	252	178	89	12x15	Ø38	80	10	33	M12	28	37
160M/L	160	384	254	290	210/254	108	15x19	Ø42	110	12	37	M16	36	45
180M/L	180	440	279	340	241/279	121	15x25	Ø48	110	14	42,5	M16	36	45
200L	200	460	318	390	305	133	19x29	Ø55	110	16	49	M20	42	53

Dimension sketch B5 lange version



Dimension sketch B35 foot-/lange version

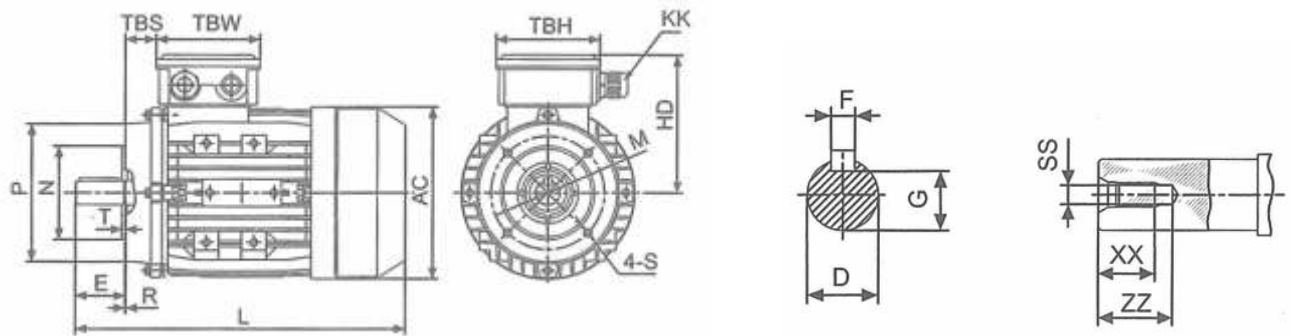
(For mounting position B35 see data for foot mounting in the B3 table.)



Measurements B5 lange version

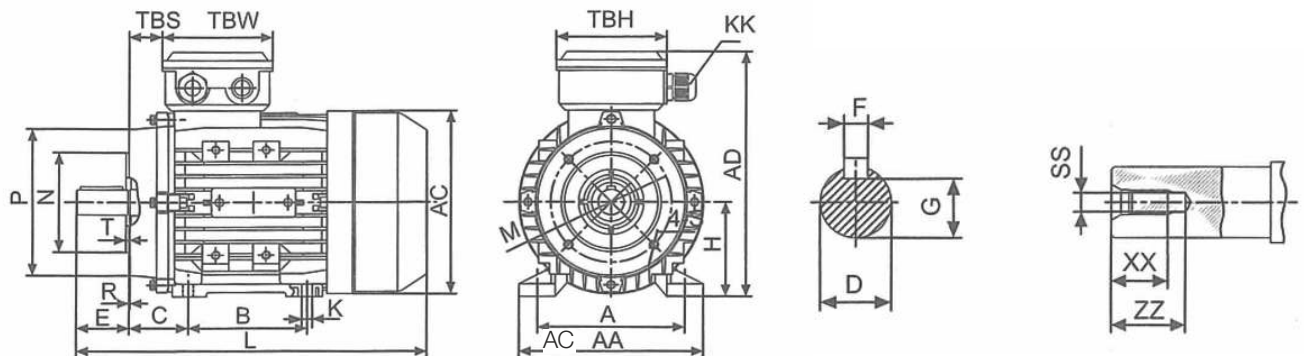
Frame	Flange version						Shaft						
	M	N	P	T	S	HD	D	E	F	G	SS	XX	ZZ
56	Ø100	Ø80	Ø120	3,0	Ø7	100	Ø9	20	3	7,2	M3	9	12
63	Ø115	Ø95	Ø140	3,0	Ø10	108	Ø11	23	4	8,5	M4	10	14
71	Ø130	Ø110	Ø160	3,5	Ø10	115	Ø14	30	5	11	M5	12	17
80	Ø165	Ø130	Ø200	3,5	Ø12	133	Ø19	40	6	15,5	M6	16	21
90S	Ø165	Ø130	Ø200	3,5	Ø12	139	Ø24	50	8	20	M8	19	25
90L1/L2	Ø165	Ø130	Ø200	3,5	Ø12	139	Ø24	50	8	20	M8	19	25
100	Ø215	Ø180	Ø250	4,0	Ø15	152	Ø28	60	8	24	M10	22	30
112	Ø215	Ø180	Ø250	4,0	Ø15	157	Ø28	60	8	24	M10	22	30
132S	Ø265	Ø230	Ø300	4,0	Ø15	186	Ø38	80	10	33	M12	28	37
132M/L	Ø265	Ø230	Ø300	4,0	Ø15	186	Ø38	80	10	33	M12	28	37
160M/L	Ø300	Ø250	Ø350	5,0	Ø19	224	Ø42	110	12	37	M16	36	45
180M/L	Ø300	Ø250	Ø350	5,0	Ø19	260	Ø48	110	14	42,5	M16	36	45
200L	Ø350	Ø300	Ø400	5,0	Ø19	260	Ø55	110	16	49	M20	42	53

Dimension sketch B14 lange version



Dimension sketch B34 foot-/lange version

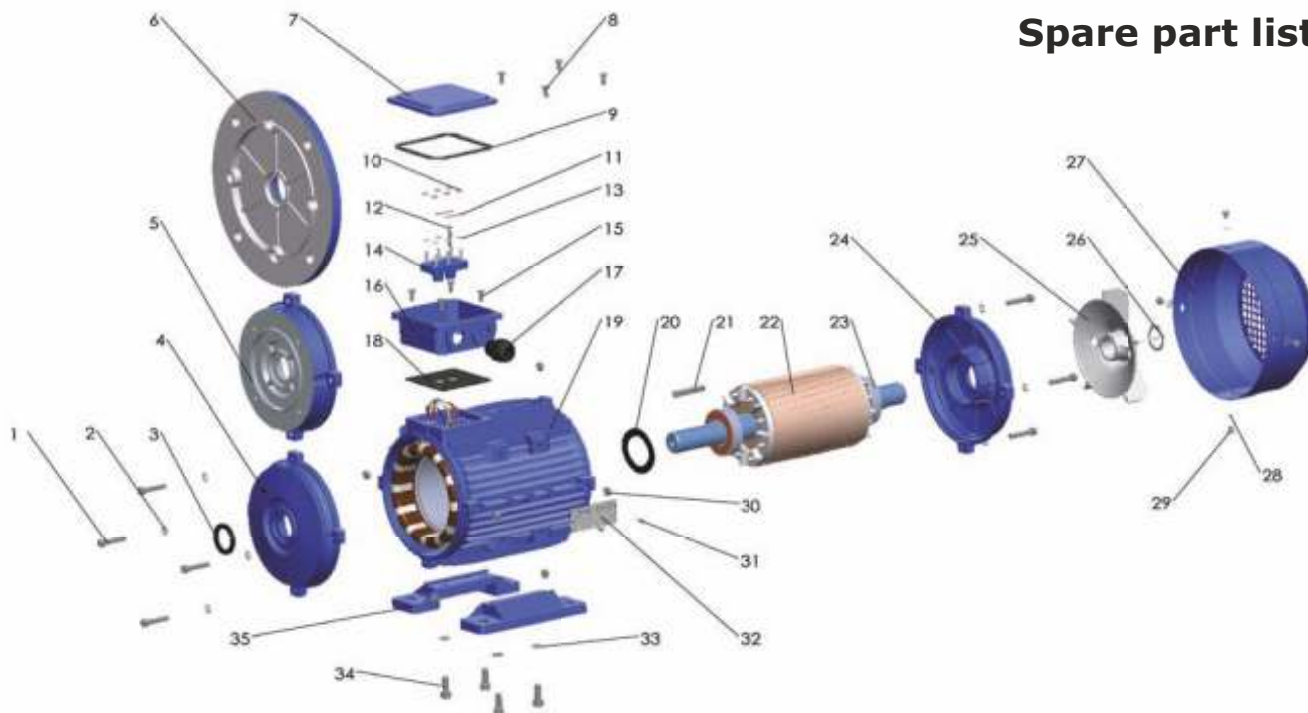
(For mounting position B34 see data for foot mounting in the B3 table.)



Measurements B14 lange version

Frame	Flange version						Shaft						
	M	N	P	T	S	HD	D	E	F	G	SS	XX	ZZ
56	Ø50	Ø65	Ø80	2,5	M5	100	Ø9	20	3	7,2	M3	9	12
63	Ø60	Ø75	Ø90	2,5	M5	108	Ø11	23	4	8,5	M4	10	14
71	Ø70	Ø85	Ø105	2,5	M6	115	Ø14	30	5	11	M5	12	17
80	Ø80	Ø100	Ø120	3,0	M6	133	Ø19	40	6	15,5	M6	16	21
90S	Ø95	Ø115	Ø140	3,0	M8	139	Ø24	50	8	20	M8	19	25
90L1/L2	Ø95	Ø115	Ø140	3,0	M8	139	Ø24	50	8	20	M8	19	25
100	Ø110	Ø130	Ø160	3,5	M8	152	Ø28	60	8	24	M10	22	30
112	Ø110	Ø130	Ø160	3,5	M8	157	Ø28	60	8	24	M10	22	30
132S	Ø130	Ø165	Ø200	4,0	M10	186	Ø38	80	10	33	M12	28	37
132M/L	Ø130	Ø165	Ø200	4,0	M10	186	Ø38	80	10	33	M12	28	37
160M/L	Ø180	Ø215	Ø200	4,0	M12	224	Ø42	110	12	37	M16	36	45

Spare part list



Spare part

1	Screw
2	Gasket
3	Oil seal
4	Front endshield
5	B14 flange
6	B5 flange
7	TB cover
8	TB ixing screws
9	TB upper gasket
10	Terminal board ixing nut
11	Terminal bridge
12	Terminal pin

13	Terminal shim
14	Terminal board
15	TB ixing screws
16	TB base
17	Cable gland
18	TB bottom gasket
19	Frame
20	Preload washer
21	Key
22	Rotor
23	Bearing
24	NDE endshield

25	Cooling fan
26	Fan circlip
27	Fan cover
28	Fan cover ixing shim
29	Fan cover ixing screws
30	Endshield ixing nut
31	Rivet
32	Nameplate
33	Foot ixing nut
34	Foot ixing screws
35	Foot B3

Bearings and oil seals

Frame	Bearing		Oil seal	
	Drive end	Non-drive end	Drive end	Non-drive end
56	6201	6201	12x22x5	12x22x5
63	6201	6201	12x24x5	12x24x5
71	6202	6202	15x25x7	15x25x7
80	6204	6204	20x34x7	20x34x7
90S	6205	6205	25x37x7	25x37x7
90L	6205	6205	15x37x7	25x37x7
100L	6206	6206	30x44x7	30x44x7
112M	6306	6206	30x44x7	30x44x7
132S	6308	6208	40x58x7	40x58x7
132M/L	6308	6208	40x58x7	40x58x7
160M	6309	6309	45x65x8	45x65x8
160L	6309	6309	45x65x8	45x65x8
180M	6311	6211	55x72x8	55x72x8
180L	6311	6211	55x72x8	55x72x8
200L	6312	6212	60x80x8	60x80x8

NSK- bearings and oil seals in both drive end and non-drive end.

UBCT standard efficiency class IE1

2-, 4- and 6-pole AC motors made from cast iron.
Standard efficiency class IE1. 50 Hz.

All motors are built to it ISO-class F, protection IP55.

Voltage:

For motors up to 4 kW 3 x230/400V.

From 5,5 kW and upwards 3x400/690V.

The latter can also be delivered in 3x230/400V.



Electrical data for 2-pole

Model	Power kW	Current (A) 400V	Full load speed RPM	Efficiency % by 100% FL	Power factor cos ϕ	Ts / Tn (times)	Is / In (times)	Noise dB(A)	Weight kg
UBCT80A2	0,75	1,09	2838	72,1	0,73	2,2	5	71	13,5
UBCT80B2	1,1	1,54	2836	75	0,73	2,2	5	71	14,6
UBCT90S2	1,5	1,98	2842	77,2	0,74	2,2	5	75	18,0
UBCT90L2	2,2	2,39	2835	79,7	0,79	2,2	5,5	75	22,0
UBCT100L2	3	2,97	2841	81,5	0,81	2,3	5,5	79	30,6
UBCT112M2	4	3,88	2900	83,1	0,81	2,4	6	79	38,2
UBCT132S12	5,5	4,65	2895	84,7	0,84	2,3	6	83	57,2
UBCT132S2	7,5	5,98	2900	86	0,85	2,3	6,4	83	62,0
UBCT160Mk2	11	7,85	2910	87,6	0,87	2,3	6,3	87	111,0
UBCT160M22	15	10,57	2908	88,7	0,87	2,3	6,8	87	118,3
UBCT160L2	18,5	11,69	2912	89,3	0,89	2,3	7	87	134,8
UBCT180M2	22	13,81	2920	89,9	0,89	2,3	7,2	92	152,8
UBCT200Lk2	30	18,67	2915	90,7	0,89	2,3	7	95	218,1
UBCT200L2	37	22,90	2920	91,2	0,89	2,3	7,2	95	230,0
UBCT225M2	45	26,21	2920	91,7	0,90	2,3	7	97	303,0
UBCT250M2	55	35,47	2930	92,2	0,88	2,2	7,8	97	391,2
UBCT280S2	75	45,66	2930	92,7	0,89	2,1	7,8	99	530,0
UBCT280M2	90	51,68	2930	93	0,90	2,1	7,7	104	572,0
UBCT315S2	110	62,97	2940	93,3	0,90	2	7,7	104	862,0
UBCT315M2	132	71,12	2940	93,5	0,91	2	7,6	104	996,0
UBCT315Lk2	160	91,10	2945	93,8	0,90	2	7,8	104	1055,0
UBCT315L2	200	120,08	2945	94	0,89	2	7,9	104	1080
UBCT355M2	250	142,04	2945	94	0,90	2	7,8	111	1770,0
UBCT355L2	315	189,13	2945	94	0,89	2	7,8	111	1900

After June 16th 2011 AC motors with power over 0,75 kW sold within the EU will be delivered for S3-duty only.



Electrical data for 4-pole

Model	Power kW	Current (A) 400V	Full load speed RPM	Efficiency % by 100% FL	Power factor cos ϕ	Ts / Tn (times)	Is / In (times)	Noise dB(A)	Weight kg
UBCT80B4	0,75	1,03	1410	72,1	0,75	2,2	5,4	67	14,6
UBCT90S4	1,1	1,32	1415	75	0,78	2,2	5,3	67	18,0
UBCT90L4	1,5	1,74	1410	77,2	0,78	2,2	5,5	67	21,8
UBCT100Lk4	2,2	2,31	1420	79,7	0,80	2,2	6	70	29,6
UBCT100L4	3	3,08	1420	81,5	0,80	2,3	6	70	33,4
UBCT112M4	4	3,74	1425	83,1	0,82	2,4	6,3	74	42,5
UBCT132S4	5,5	4,85	1420	84,7	0,83	2,3	6,5	78	60,0
UBCT132M4	7,5	5,98	1420	86	0,85	2,3	6,4	78	73,6
UBCT160M4	11	8,61	1430	87,6	0,85	2,3	6,8	82	114,6
UBCT160L4	15	10,06	1435	88,7	0,88	2,3	6,7	82	130,7
UBCT180M4	18,5	12,32	1435	89,3	0,88	2,3	7,2	82	149,5
UBCT180L4	22	15,29	1450	89,9	0,87	2,3	7,3	82	165,1
UBCT200L4	30	18,67	1450	90,7	0,89	2,3	7,6	84	216,5
UBCT225S4	37	22,90	1460	91,2	0,89	2,3	7,5	84	293,0
UBCT225M4	45	29,18	1470	91,7	0,88	2,3	7,3	84	335,0
UBCT250M4	55	33,70	1470	92,1	0,89	2,2	7,4	86	397,0
UBCT280S4	75	48,11	1470	92,7	0,88	2,1	7,5	90	540,0
UBCT280M4	90	51,68	1470	93	0,90	2,1	7,7	90	620,0
UBCT315S4	110	62,97	1475	93,3	0,90	2	7,8	98	1108,0
UBCT315M4	132	71,12	1475	93,5	0,91	2	7,8	101	1360,0
UBCT315Lk4	160	85,93	1475	93,8	0,91	2	7,9	101	1450,0
UBCT315L4	200	113,63	1475	94	0,90	2	7,7	101	1480,0
UBCT355M4	250	150,10	1475	94	0,89	2	7,9	106	1600,0
UBCT355L4	315	178,97	1475	94	0,90	2	7,8	108	1790,0

After June 16th 2011 AC motors with power over 0,75 kW sold within the EU will be delivered for S3-duty only.



Electrical data for 6-pole

Model	Power kW	Current (A) 400V	Full load speed RPM	Efficiency % by 100% FL	Power factor cos ϕ	Ts / Tn (times)	Is / In (times)	Noise dB(A)	Weight kg
UBCT90S6	0,75	1,16	930	70	0,72	2,2	5,3	65	17,6
UBCT90L6	1,1	1,63	930	72,9	0,72	2,2	5	65	21,6
UBCT100L6	1,5	2,09	935	75,2	0,73	2,2	4,9	67	29,5
UBCT112M6	2,2	2,97	935	77,7	0,73	2,2	5,7	67	38,0
UBCT132S6	3	3,95	935	79,7	0,73	2,3	6,3	71	49,6
UBCT132Mk6	4	5,01	940	81,4	0,74	2,4	6,2	71	59,4
UBCT132M26	5,5	6,34	940	83,1	0,76	2,3	6,8	71	65,0
UBCT160M6	7,5	8,49	950	84,7	0,76	2,3	7	75	105,0
UBCT160L6	11	11,43	955	86,4	0,78	2,3	7,3	75	122,4
UBCT180L6	15	14,84	955	87,7	0,79	2,3	7,2	78	161,5
UBCT200Lk6	18,5	15,58	960	88,6	0,83	2,3	6,9	78	208,3
UBCT200L6	22	18,41	960	89,2	0,83	2,3	7,3	78	218,2
UBCT225M6	30	24,82	970	90,2	0,83	2,3	7,4	81	289,0
UBCT250M6	37	27,94	970	90,8	0,85	2,3	7,5	81	380,0
UBCT280S6	45	32,26	975	91,4	0,86	2,3	7,7	84	489,5
UBCT280Mk6	55	37,40	975	91,9	0,87	2,2	7,7	84	620,0
UBCT315S6	75	45,71	975	92,6	0,89	2,1	7,9	92	824,0
UBCT315M6	90	51,74	975	92,9	0,90	2	8	92	960,0
UBCT315Lk6	110	62,97	975	93,3	0,90	2	7,7	92	1100,0
UBCT315L6	132	79,68	975	93,5	0,89	2	8	92	1175,0
UBCT355Mk6	160	85,93	975	93,8	0,91	2	7,6	102	1680,0
UBCT355M26	200	113,63	975	94	0,90	2	7,8	102	1680,0
UBCT355L6	250	150,10	975	94	0,89	2	7,8	105	1990,0

After June 16th 2011 AC motors with power over 0,75 kW sold within the EU will be delivered for S3-duty only.

UB2CT high efficiency class IE2

2-, 4- and 6-pole AC motors made from cast iron.
High efficiency class IE2. 50 Hz.

All motors are built to it ISO-class F, protection IP55.

Voltage:

For motors up to 4 kW 3 x230/400V.

From 5,5 kW and upwards 3x400/690V.

The latter can also be delivered in 3x230/400V.



Electrical data for 2-pole

Model	Power- kW	Current (A) 400V	Full load speed RPM	Efficiency % by 100% FL	Power factor cos ϕ	Ts / Tn (times)	Is / In (times)	Noise dB(A)	Weight kg
UB2CT80A2	0,75	0,96	2848	77,4	0,75	2,7	6	71	16,0
UB2CT80B2	1,1	1,20	2846	79,6	0,79	2,7	6,7	71	18,0
UB2CT90S2	1,5	1,32	2852	81,3	0,84	2,3	6,1	75	21,0
UB2CT90L2	2,2	1,89	2845	83,2	0,84	2,6	7	75	24,0
UB2CT100L2	3	2,00	2851	84,6	0,89	2,5	7,6	79	33,5
UB2CT112M2	4	2,63	2910	85,8	0,89	2,5	7,8	79	48,0
UB2CT132S2	5,5	3,57	2905	87	0,89	2,4	7,8	83	63,0
UB2CT132M2	7,5	5,06	2910	88,1	0,88	2,7	7,9	83	69,0
UB2CT160Mk2	11	6,57	2920	89,4	0,9	2,2	7,9	87	118,0
UB2CT160M2	15	8,37	2918	90,3	0,91	2,3	7,9	87	134,0
UB2CT160L2	18,5	9,64	2922	90,9	0,92	2,4	8	87	143,0
UB2CT180M2	22	13,60	2930	91,3	0,89	2,3	7,5	92	170,0
UB2CT200Lk2	30	19,39	2925	92	0,88	2,4	6,7	95	245,0
UB2CT200L2	37	21,36	2930	92,5	0,9	2,3	6,3	95	240,0
UB2CT225M2	45	28,81	2930	92,9	0,88	2,3	6,9	97	305,0
UB2CT250M2	55	35,09	2940	93,2	0,88	2,3	8	97	410,0
UB2CT280S2	75	37,86	2940	93,8	0,92	2,2	8	99	580,0
UB2CT280M2	90	45,28	2940	94,1	0,92	2,2	7,7	104	630,0
UB2CT315S2	110	62,30	2940	94,3	0,9	2	7,7	104	981,0
UB2CT315M2	132	70,29	2940	94,6	0,91	2	7,6	104	1100
UB2CT315Lk2	160	90,14	2945	94,8	0,9	2	7,8	104	1055,0
UB2CT315L2	200	118,82	2945	95	0,89	2	7,9	104	1080
UB2CT355M2	250	140,54	2945	95	0,9	2	7,8	111	1770,0
UB2CT355L2	315	187,14	2945	95	0,89	2	7,8	111	1990



Electrical data for 4-pole

Model	Power kW	Current (A) 400V	Full load speed RPM	Efficiency % by 100% FL	Power factor cos ϕ	Ts / Tn (times)	Is / In (times)	Noise dB(A)	Weight kg
UB2CT80B4	0,75	0,90	1420	79,6	0,76	2,3	5,4	67	14,5
UB2CT90S4	1,1	1,21	1425	81,4	0,78	2,3	5,9	67	16,0
UB2CT90L4	1,5	1,57	1420	82,8	0,79	2,4	6,4	67	21,8
UB2CT100Lk4	2,2	2,03	1430	84,3	0,82	2,4	6,6	70	36,0
UB2CT100L4	3	2,94	1430	85,5	0,8	2,4	6,9	70	36,0
UB2CT112M4	4	4,01	1435	86,6	0,79	2,5	7,9	74	47,0
UB2CT132S4	5,5	4,87	1430	87,7	0,82	2,3	7,1	78	65,0
UB2CT132M4	7,5	6,31	1430	88,7	0,83	2,3	7,8	78	78,5
UB2CT160M4	11	6,17	1440	89,8	0,91	2,5	7,9	82	126,0
UB2CT160L4	15	7,82	1445	90,8	0,92	2,4	7,8	82	140,5
UB2CT180M4	18,5	12,68	1445	91,2	0,87	2,4	7,8	82	165,0
UB2CT180L4	22	13,55	1460	91,6	0,89	2,3	7,5	82	185,0
UB2CT200L4	30	19,33	1460	92,3	0,88	2,4	7,9	84	244,0
UB2CT225S4	37	33,42	1470	92,7	0,8	2,4	6,7	84	345,0
UB2CT225M4	45	40,47	1480	93,1	0,8	2,3	7	84	355,0
UB2CT250M4	55	34,98	1480	93,5	0,88	2,4	7,4	86	425,0
UB2CT280S4	75	40,19	1480	94	0,91	2,2	7,5	90	560,0
UB2CT280M4	90	42,23	1480	94,2	0,92	2,2	7,7	90	670,0
UB2CT315S4	110	62,17	1480	94,5	0,9	2	7,8	98	905,0
UB2CT315M4	132	70,22	1480	94,7	0,91	2	7,8	101	1016
UB2CT315Lk4	160	84,93	1480	94,9	0,91	2	7,9	101	1108,0
UB2CT315L4	200	112,32	1480	95,1	0,9	2	7,7	101	1210
UB2CT355M4	250	148,36	1480	95,1	0,89	2	7,9	106	1700,0
UB2CT355L4	315	176,9	1480	95,1	0,9	2	7,8	108	1890



Electrical data for 6-pole

Model	Power kW	Current (A) 400V	Full load speed RPM	Efficiency % by 100% FL	Power factor cos Φ	Ts / Tn (times)	Is / In (times)	Noise dB(A)	Weight kg
UB2CT90S6	0,75	0,95	935	75,9	0,76	2,2	6,2	65	15,6
UB2CT90L6	1,1	1,18	935	78,1	0,8	2,3	6	65	23,5
UB2CT100L6	1,5	1,46	940	79,8	0,82	2,3	5,8	67	32,0
UB2CT112M6	2,2	2,25	940	81,8	0,8	2,3	6,4	67	43,0
UB2CT132S6	3	2,69	940	83,3	0,83	2,4	6,3	71	60,0
UB2CT132Mk6	4	3,39	945	84,6	0,84	2,5	6,2	71	64,5
UB2CT132M26	5,5	4,97	945	86	0,82	2,3	6,8	71	66,0
UB2CT160M6	7,5	6,16	955	87,2	0,84	2,4	7	75	124,0
UB2CT160L6	11	8,50	960	88,7	0,85	2,5	7,3	75	134,0
UB2CT180L6	15	12,48	960	89,7	0,83	2,3	7,8	78	180,0
UB2CT200Lk6	18,5	14,03	965	90,4	0,85	2,4	7,8	78	240,0
UB2CT200L6	22	15,86	965	90,9	0,86	2,3	7,9	78	238,0
UB2CT225M6	30	22,43	975	91,7	0,85	2,2	7,9	81	301,0
UB2CT250M6	37	29,95	975	92,2	0,83	2,3	7,5	81	398,0
UB2CT280S6	45	31,81	980	92,7	0,86	2,3	7,2	84	505,0
UB2CT280Mk6	55	38,71	980	93,1	0,86	2,2	7,7	84	650,0
UB2CT315S6	75	45,17	980	93,7	0,89	2,1	7,9	92	824,0
UB2CT315M6	90	51,13	980	94	0,9	2	8	92	1050
UB2CT315Lk6	110	62,30	980	94,3	0,9	2	7,7	92	1200,0
UB2CT315L6	132	78,75	980	94,6	0,89	2	8	92	1350
UB2CT355Mk6	160	85,02	980	94,8	0,91	2	7,6	102	1590,0
UB2CT355M26	200	112,43	980	95	0,9	2	7,8	102	1750
UB2CT355L6	250	148,52	980	95	0,89	2	7,8	105	1990,0

UB3CT premium efficiency class IE3

2-, 4- and 6-pole AC motors made from cast iron.
Premium efficiency class IE3. 50 Hz.

All motors are built to it ISO-class F, protection IP55.

Voltage:

For motorer up to 4 kW 3 x230/400V.

From 5,5 kW and upwards 3x400/690V.

The latter can also be delivered in 3x230/400V.



Electrical data for 2-pole

Model	Power kW	Current (A) 400V	Full load speed RPM	Efficiency % by 100% FL	Power factor cos Φ	Ts / Tn (times)	Is / In (times)	Noise dB(A)	Weight kg
UB3CT80A2	0,75	0,92	2848	80,7	0,75	2,7	6	71	N.A.
UB3CT80B2	1,1	1,15	2846	82,7	0,79	2,7	6,7	71	N.A.
UB3CT90S2	1,5	1,28	2852	84,2	0,84	2,3	6,1	75	N.A.
UB3CT90L2	2,2	1,83	2845	85,9	0,84	2,6	7	75	N.A.
UB3CT100L2	3	1,94	2851	87,1	0,89	2,5	7,6	79	N.A.
UB3CT112M2	4	2,56	2910	88,1	0,89	2,5	7,8	79	N.A.
UB3CT132S2	5,5	3,48	2905	89,2	0,89	2,4	7,8	83	N.A.
UB3CT132S2	7,5	4,95	2910	90,1	0,88	2,7	7,9	83	N.A.
UB3CT160Mk2	11	6,44	2920	91,2	0,90	2,2	7,9	87	N.A.
UB3CT160M2	15	8,22	2918	91,9	0,91	2,3	7,9	87	N.A.
UB3CT160L2	18,5	9,48	2922	92,4	0,92	2,4	8	87	N.A.
UB3CT180M2	22	13,39	2930	92,7	0,89	2,3	7,5	92	N.A.
UB3CT200Lk2	30	19,12	2925	93,3	0,88	2,4	6,7	95	N.A.
UB3CT200L2	37	21,09	2930	93,7	0,90	2,3	6,3	95	N.A.
UB3CT225M2	45	28,47	2930	94	0,88	2,3	6,9	97	N.A.
UB3CT250M2	55	34,68	2940	94,3	0,88	2,3	8	97	N.A.
UB3CT280S2	75	37,50	2940	94,7	0,92	2,2	8	99	N.A.
UB3CT280M2	90	44,85	2940	95	0,92	2,2	7,7	104	N.A.
UB3CT315S2	110	61,71	2940	95,5	0,90	2	7,7	104	N.A.
UB3CT315M2	132	69,70	2940	95,4	0,91	2	7,6	104	N.A.
UB3CT315Lk2	160	89,20	2945	95,8	0,90	2	7,8	104	N.A.
UB3CT315L2	200	117,82	2945	95,8	0,89	2	7,9	104	N.A.
UB3CT355M2	250	139,37	2945	95,8	0,90	2	7,8	111	N.A.
UB3CT355L2	315	185,57	2945	95,8	0,89	2	7,8	111	N.A.



Electrical data for 4-pole

Model	Power kW	Current (A) 400V	Full load speed RPM	Efficiency % by 100% FL	Power factor cos ϕ	Ts / Tn (times)	Is / In (times)	Noise dB (A)	Weight kg
UB3CT80B4	0,75	0,87	1420	82,5	0,76	2,3	5,4	67	N.A.
UB3CT90S4	1,1	1,17	1425	84,1	0,78	2,3	5,9	67	N.A.
UB3CT90L4	1,5	1,53	1420	85,3	0,79	2,4	6,4	67	N.A.
UB3CT100Lk4	2,2	1,97	1430	86,7	0,82	2,4	6,6	70	N.A.
UB3CT200L4	3	2,86	1430	87,7	0,80	2,4	6,9	70	N.A.
UB3CT112M4	4	3,92	1435	88,6	0,79	2,5	7,9	74	N.A.
UB3CT132S4	5,5	4,77	1430	89,6	0,82	2,3	7,1	78	N.A.
UB3CT132M4	7,5	6,19	1430	90,4	0,83	2,3	7,8	78	N.A.
UB3CT160M4	11	6,06	1440	91,4	0,91	2,5	7,9	82	N.A.
UB3CT160L4	15	7,71	1445	92,1	0,92	2,4	7,8	82	N.A.
UB3CT180M4	18,5	12,49	1445	92,6	0,87	2,4	7,8	82	N.A.
UB3CT180L4	22	13,35	1460	93	0,89	2,3	7,5	82	N.A.
UB3CT200L4	30	19,06	1460	93,6	0,88	2,4	7,9	84	N.A.
UB3CT225S4	37	32,99	1470	93,9	0,80	2,4	6,7	84	N.A.
UB3CT225M4	45	39,99	1480	94,2	0,80	2,3	7	84	N.A.
UB3CT250M4	55	34,57	1480	94,6	0,88	2,4	7,4	86	N.A.
UB3CT280S4	75	39,77	1480	95	0,91	2,2	7,5	90	N.A.
UB3CT280M4	90	44,76	1480	95,2	0,92	2,2	7,7	90	N.A.
UB3CT315S4	110	61,58	1480	95,4	0,90	2	7,8	98	N.A.
UB3CT315M4	132	69,56	1480	95,6	0,91	2	7,8	101	N.A.
UB3CT315Lk4	160	84,13	1480	95,8	0,91	2	7,9	101	N.A.
UB3CT315L4	200	111,26	1480	96	0,90	2	7,7	101	N.A.
UB3CT355M4	250	146,97	1480	96	0,89	2	7,9	106	N.A.
UB3CT355L4	315	175,24	1480	96	0,90	2	7,8	108	N.A.



Electrical data for 6-pole

Model	Power kW	Current (A) 400V	Full load speed RPM	Efficiency % by 100% FL	Power factor cos Φ	Ts / Tn (times)	Is / In (times)	Noise dB(A)	Weight kg
UB3CT90S6	0,75	0,91	935	78,9	0,76	2,2	6,2	65	N.A.
UB3CT90L6	1,1	1,14	935	81	0,80	2,3	6	65	N.A.
UB3CT100L6	1,5	1,41	940	82,5	0,82	2,3	5,8	67	N.A.
UB3CT112M6	2,2	2,18	940	84,3	0,80	2,3	6,4	67	N.A.
UB3CT132S6	3	2,62	940	85,6	0,83	2,4	6,3	71	N.A.
UB3CT132Mk6	4	3,30	945	86,8	0,84	2,5	6,2	71	N.A.
UB3CT132M26	5,5	4,85	945	88	0,82	2,3	6,8	71	N.A.
UB3CT160M6	7,5	6,03	955	89,1	0,84	2,4	7	75	N.A.
UB3CT160L6	11	8,35	960	90,3	0,85	2,5	7,3	75	N.A.
UB3CT180L6	15	12,27	960	91,2	0,83	2,3	7,8	78	N.A.
UB3CT200Lk6	18,5	13,83	965	91,7	0,85	2,4	7,8	78	N.A.
UB3CT200L6	22	15,64	965	92,2	0,86	2,3	7,9	78	N.A.
UB3CT225M6	30	22,14	975	92,9	0,85	2,2	7,9	81	N.A.
UB3CT250M6	37	29,59	975	93,9	0,83	2,3	7,5	81	N.A.
UB3CT280S6	45	31,47	980	93,7	0,86	2,3	7,2	84	N.A.
UB3CT280Mk6	55	38,30	980	94,1	0,86	2,2	7,7	84	N.A.
UB3CT315S6	75	44,74	980	94,6	0,89	2,1	7,9	92	N.A.
UB3CT315M6	90	50,65	980	94,9	0,90	2	8	92	N.A.
UB3CT315Lk6	110	61,77	980	95,1	0,90	2	7,7	92	N.A.
UB3CT315L6	132	78,09	980	95,4	0,89	2	8	92	N.A.
UB3CT355Mk6	160	84,31	980	95,6	0,91	2	7,6	102	N.A.
UB3CT355M26	200	111,5	980	95,8	0,90	2	7,8	102	N.A.
UB3CT355L6	250	147,28	980	95,8	0,89	2	7,8	105	N.A.

Measurements UBCT/UB2CT/UB3CT

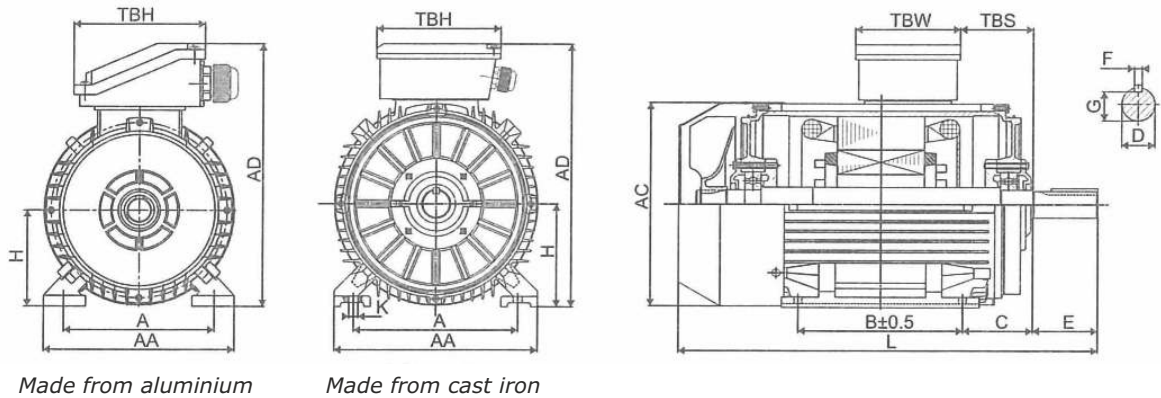
General data

Frame	AC	L	Cable gland	TBS	TBW	TBH
80	Ø158	280	1-M20x1,5	16	97	97
90S/L	Ø176	325/350	1-M20x1,5	16	97	97
100	Ø199	388	1-M20x1,5	20	118	118
112	Ø220	405	2-M25x1,5	29	118	118
132S/M	Ø259	467/505	2-M25x1,5	29	118	118
160M/L	Ø313	605/650	2-M32x1,5	91	162	187
180M/L	Ø360	687/725	2-M32x1,5	160/180	162	187
200L	Ø399	768	2-M40x1,5	192	186	233
225S - 4-, 8-pole	Ø465	814	2-M50x1,5	190	186	233
225M - 2-pole	Ø465	809	2-M50x1,5	202	186	233
225M - 4-, 6-, 8-pole	Ø465	839	2-M50x1,5	202	186	233
250M - 2-pole	Ø506	918	2-M50x1,5	233	218	260
250M - 4-, 6-, 8-pole	Ø506	918	2-M50x1,5	233	218	260
280S/M - 2-pole	Ø559	984/1035	2-M50x1,5	265	218	260
280S/M - 4-, 6-, 8-pole	Ø559	984/1035	2-M50x1,5	265	218	260
315S - 2-pole	Ø680	1160	2-M63x1,5	130	350	430
315S - 4-, 6-, 8-pole	Ø680	1190	2-M63x1,5	130	350	430
315M/L - 2-pole	Ø680	1310	2-M63x1,5	130	350	430
315M/L - 4-, 6-, 8-pole	Ø680	1340	2-M63x1,5	130	350	430
355M/L - 2-pole	Ø820	1770	2-M63x1,5	180	350	430
355M/L - 4-, 6-, 8-pole	Ø820	1840	2-M63x1,5	180	350	430

Data refer to dimensions sketches on the following pages.

Measurements UBCT/UB2CT/UB3CT

Dimension sketch B3 foot version



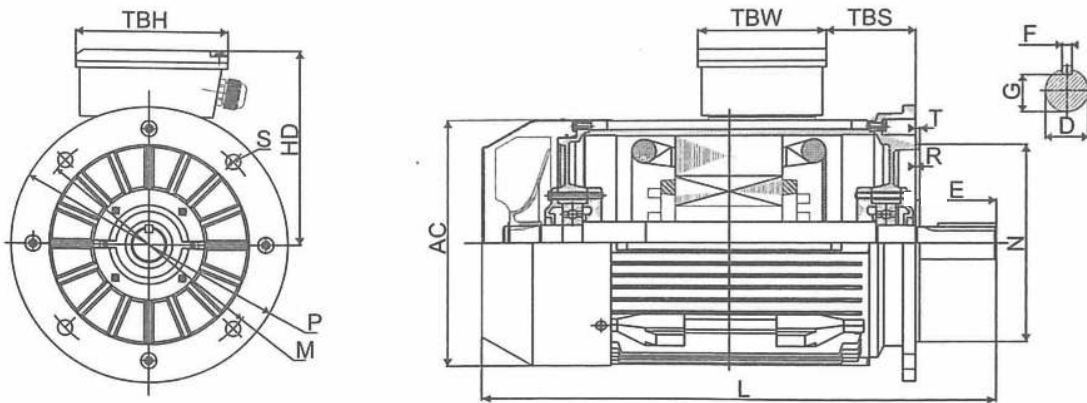
Motors in B3 foot version are delivered with removable foot mounting up to frame size 200.

Measurements B3 foot version

Frame	Foot mounting						Shaft					
	H	AD	AA	A	B	C	D	E	F	G	K	
80	80	220	160	125	100	50	Ø19	40	6	15,5	Ø9	
90S/L	90	240	175	140	100/125	56	Ø24	50	8	20	Ø10	
100	100	265	200	160	140	63	Ø28	60	8	24	Ø12	
112	112	291	230	190	140	70	Ø28	60	8	24	Ø12	
132S/M	132	332	255	216	140/178	89	Ø38	80	10	33	Ø12	
160M/L	160	402	314	254	210/254	108	Ø42	110	12	37	Ø15	
180M/L	180	439	348	279	241/279	121	Ø48	110	14	42,5	Ø15	
200L	200	497	388	318	305	133	Ø55	110	16	49	Ø19	
225S - 4-, 8-pole	225	553	436	356	286	149	Ø60	140	18	53	Ø19	
225M - 2-pole	225	553	436	356	311	149	Ø55	110	16	49	Ø19	
225M - 4-, 6-, 8-pole	225	553	436	356	311	149	Ø60	140	18	53	Ø19	
250M - 2-pole	250	616	484	406	349	168	Ø60	140	18	53	Ø24	
250M - 4-, 6-, 8-pole	250	616	484	406	349	168	Ø60	140	18	58	Ø24	
280S/M - 2-pole	280	668	557	457	368/419	190	Ø65	140	18	58	Ø24	
280S/M - 4-, 6-, 8-pole	280	668	557	457	368/419	190	Ø75	140	20	67,5	Ø24	
315S - 2-pole	315	840	630	508	406	216	Ø65	140	18	58	Ø28	
315S - 4-, 6-, 8-pole	315	840	630	508	406	216	Ø80	170	22	71	Ø28	
315M/L - 2-pole	315	840	630	508	457/508	216	Ø65	140	18	58	Ø28	
315M/L - 4-, 6-, 8-pole	315	840	630	508	457/508	216	Ø80	170	22	71	Ø28	
355M/L - 2-pole	355	920	740	610	560/630	254	Ø75	140	20	67,5	Ø28	
355M/L - 4-, 6-, 8-pole	355	920	740	610	560/630	254	Ø95	170	25	86	Ø28	

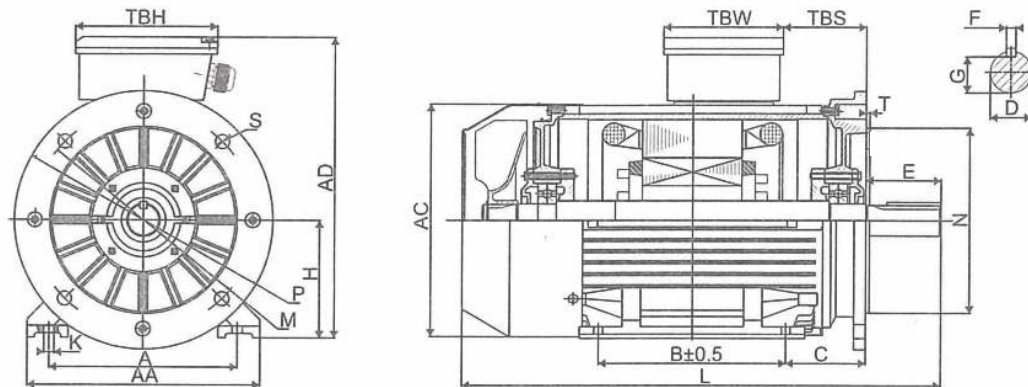
Measurements UBCT/UB2CT/UB3CT

Dimension sketch B5 lange version



Dimension sketch B35 foot-/lange version

(For mounting position B35 see data for foot mounting in the B3 table.)

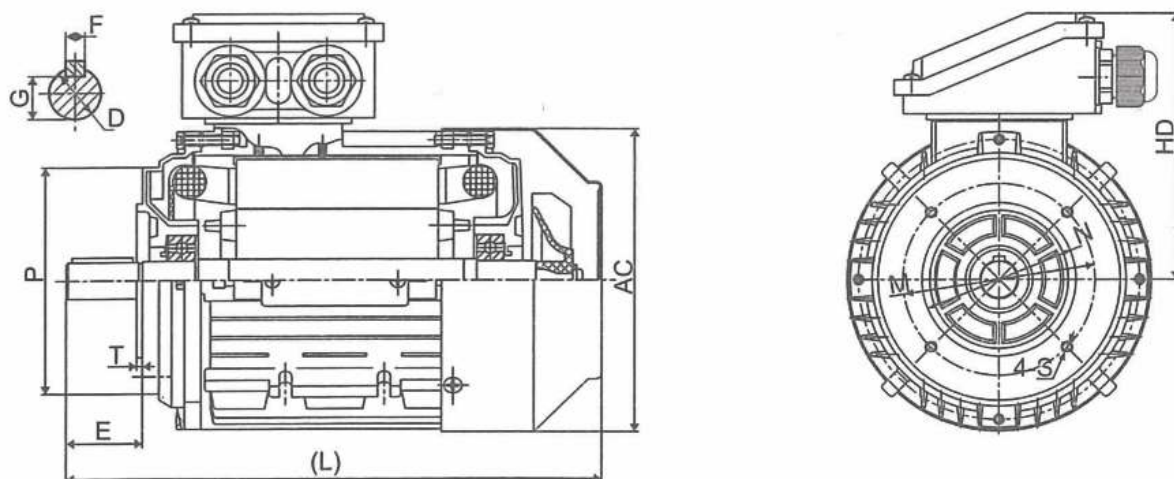


Measurements B5 lange version

Frame	Flange version						Shaft				
	N	M	P	S	T	HD	D	E	F	G	K
80	Ø130	Ø165	Ø200	4-Ø12	3,5	140	Ø19	40	6	15,5	Ø9
90S/L	Ø130	Ø165	Ø200	4-Ø12	3,5	150	Ø24	50	8	20	Ø10
100	Ø180	Ø215	Ø250	4-Ø15	4	165	Ø28	60	8	24	Ø12
112	Ø180	Ø215	Ø250	4-Ø15	4	179	Ø28	60	8	24	Ø12
132S/M	Ø230	Ø265	Ø300	4-Ø15	4	200	Ø38	80	10	33	Ø12
160M/L	Ø250	Ø300	Ø350	4-Ø19	5	242	Ø42	110	12	37	Ø15
180M/L	Ø250	Ø300	Ø350	4-Ø19	5	259	Ø48	110	14	42,5	Ø15
200L	Ø300	Ø350	Ø400	4-Ø19	5	297	Ø55	110	16	49	Ø19
225S - 4-, 8-pole	Ø350	Ø400	Ø450	8-Ø19	5	328	Ø60	140	18	53	Ø19
225M - 2-pole	Ø350	Ø400	Ø450	8-Ø19	5	328	Ø55	110	16	49	Ø19
225M - 4-, 6-, 8-pole	Ø350	Ø400	Ø450	8-Ø19	5	328	Ø60	140	18	53	Ø19
250M - 2-pole	Ø400	Ø500	Ø550	8-Ø19	5	366	Ø60	140	18	53	Ø24
250M - 4-, 6-, 8-pole	Ø400	Ø500	Ø550	8-Ø19	5	366	Ø60	140	18	58	Ø24
280S/M - 2-pole	Ø400	Ø500	Ø550	8-Ø19	5	388	Ø65	140	18	58	Ø24
280S/M - 4-, 6-, 8-pole	Ø400	Ø500	Ø550	8-Ø19	5	388	Ø75	140	20	67,5	Ø24
315S - 2-pole	Ø550	Ø600	Ø660	8-Ø24	6	525	Ø65	140	18	58	Ø28
315S - 4-, 6-, 8-pole	Ø550	Ø600	Ø660	8-Ø24	6	525	Ø80	170	22	71	Ø28
315M/L - 2-pole	Ø550	Ø600	Ø660	8-Ø24	6	525	Ø65	140	18	58	Ø28
315M/L - 4-, 6-, 8-pole	Ø550	Ø600	Ø660	8-Ø24	6	525	Ø80	170	22	71	Ø28
355M/L - 2-pole	Ø680	Ø740	Ø800	8-Ø24	6	565	Ø75	140	20	67,5	Ø28
355M/L - 4-, 6-, 8-pole	Ø680	Ø740	Ø800	8-Ø24	6	565	Ø95	170	25	86	Ø28

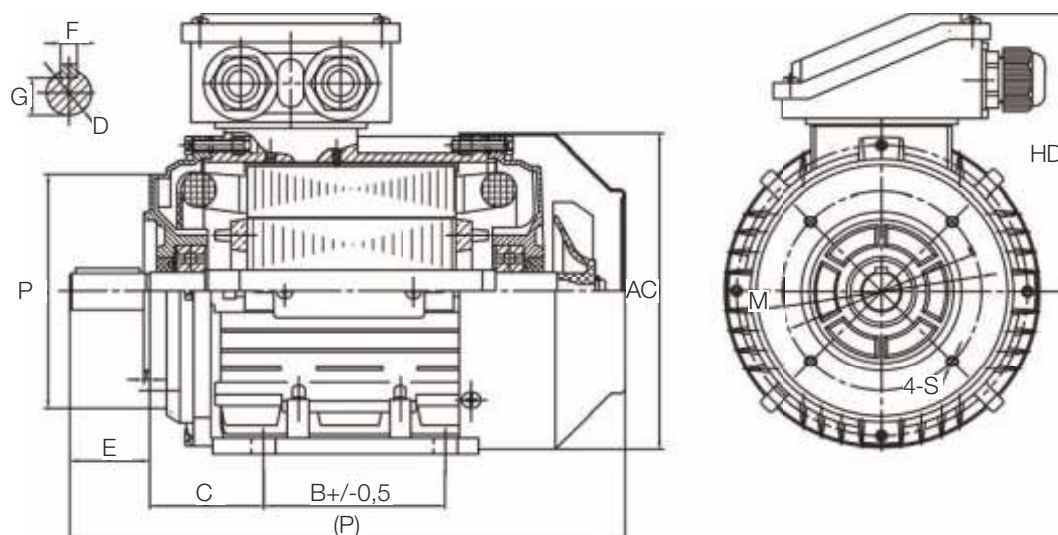
Measurements UBCT/UB2CT/UB3CT

Dimension sketch B14 lange version



Dimension sketch B34 foot-/lange version

(For mounting position B34 see data for foot mounting in the B3 table.)



Measurements B14 lange version

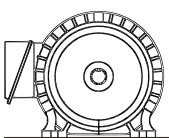
Frame	Flange version						Shaft				
	N	M	P	S	T	HD	D	E	F	G	K
80	Ø80	Ø100	Ø118	M6	3	140	Ø19	40	6	15,5	Ø9
90S/L	Ø95	Ø115	Ø138	M8	3	150	Ø24	50	8	20	Ø10
100	Ø110	Ø130	Ø158	M8	3,5	165	Ø28	60	8	24	Ø12
112	Ø110	Ø130	Ø158	M8	3,5	179	Ø28	60	8	24	Ø12
132S/M	Ø130	Ø165	Ø198	M10	3,5	200	Ø38	80	10	33	Ø12

Spare parts UBCT/UB2CT/UB3CT

Bearings

Frame	Bearing	
	Drive end	Non-drive end
80	6204ZZ	6204ZZ
90S/L	6205ZZ	6205ZZ
100	6206ZZ	6206ZZ
112	6306ZZ	6306ZZ
132S/M	6308ZZ	6308ZZ
160M/L	6309C3	6309C3
180M/L	6311C3	6311C3
200L	6312C3	6312C3
225S - 4-, 8-pole	6313C3	6313C3
225M - 2-pole	6313C3	6313C3
225M - 4-, 6-, 8-pole	6313C3	6313C3
250M - 2-pole	6314C3	6314C3
250M - 4-, 6-, 8-pole	6314C3	6314C3
280S/M - 2-pole	6316C3	6313C3
280S/M - 4-, 6-, 8-pole	6316C3	6316C3
315S - 2-pole	6314C3	6314C3
315S - 4-, 6-, 8-pole	NU319	6319C3
315M/L - 2-pole	6314C3	6314C3
315M/L - 4-, 6-, 8-pole	NU319	6319C3
355M/L - 2-pole	6319C3	6319C3
355M/L - 4-, 6-, 8-pole	NU322	6322C3

NSK- bearings and oil seals in both drive end and non-drive end.



UB:Motors[®]